

Amalfi

Bedroom Range

FISHPOOLS

The south east's largest quality furniture store



The Amalfi collection showcases flexibility with a wide range of widths and heights. Corner and top box elements are available to give your bedroom that fitted wardrobe look. Available to mix and match in a wide range of high gloss fronts and wooden effect carcasses.

Features

- High Gloss Lacquer Fronts
- Choice Of Colours
- Choice Of Widths & Heights
- Top Boxes Available

Front colours:



High polish white



High polish soft grey



high polish effect grey

Carcase colours:



Alpine white



Sonoma oak colour



Artisan oak colour



Sanremo oak light colour



Metallic grey



COL. CODE	FRONT ▶	HIGH POLISH		
CARCASE COLOUR ▼		White	Soft grey	effect grey
Alpine white		AN925	A9R31	AD830
Sonoma oak colour		AM625	AK601	AD831
Sanremo oak light colour		AP455	AM401	AD833
Artisan oak colour		AD691	AD692	AD693
Metallic grey		AJ895	AP801	AD835


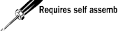

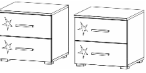


HANDLES ▶	ALUMINIUM COLOUR				
-----------	------------------	--	--	--	--


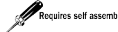
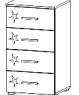


HINGED DOOR WARDROBES	Width in cm	181	181	shelf unit	corner robe	corner robe
	Depth 54 cm					
For extras, see rauch BLUE Extras	Name	hinged door wardrobe	hinged door wardrobe	shelf unit	hinged door corner robe	hinged door corner robe
	Name	4-door, 8 drawers	4-door, 2 mirror doors, 8 drawers		2-door, walk-in	2-door, 2 mirror doors, walk-in
	Dimensions (W/D)	↔181 cm ↗54 cm	↔181 cm ↗54 cm	↔47 cm ↗32 cm	↔117 cm ↗117 cm	↔117 cm ↗117 cm
HEIGHT 197 CM	▼ Art. no.. ▼ Price	...		HEIGHT 197 CM		
		3124	2138	8415	3126	2210
HEIGHT 210 CM	▼ Art. no.. ▼ Price	...		HEIGHT 210 CM		
		4877	513A	8452	4890	5093

TOP UNITS	Width in cm	47	47	91	136	181	corner
	Depth 54 cm						
flat packed	Drawing						
Requires self assembly	Name	top unit	top unit	top unit	top unit	top unit	top unit
	Name	1-door, hinged left	1-door, hinged right	2-door	3-door	4-door	2-door
	Dimensions (W/D)	↔47 cm :39 cm ↗54 cm	↔47 cm :39 cm ↗54 cm	↔91 cm :39 cm ↗54 cm	↔136 cm :39 cm ↗54 cm	↔181 cm :39 cm ↗54 cm	↔117 cm :39 cm ↗117 cm
	▼ Art. no.. ▼ Price	...		HEIGHT 210 CM			
		3301	3302	3306	3307	3308	3309

COL. CODE	FRONT ▶	HIGH POLISH		
CARCASE COLOUR ▼		White	Soft grey	effect grey
Alpine white		AN925	A9R31	AD830
Sonoma oak colour		AM625	AK601	AD831
Sanremo oak light colour		AP455	AM401	AD833
Artisan oak colour		AD691	AD692	AD693
Metallic grey		AJ895	AP801	AD835

HANDLES ▶	ALUMINIUM COLOUR				
-----------	------------------	--	--	--	--

BEDSIDE TABLES  flat-packed 	Width in cm	47	47	47	47	
	Drawing					
	Name	bedside table	bedside tables, pair	bedside table	bedside tables, pair	
	Name	2 drawers	2 drawers	3 drawers	3 drawers	
	Dimensions (W/H/D)	••47 cm ;43 cm ;•45 cm	••47 cm ;43 cm ;•42 cm	••47 cm ;62 cm ;•45 cm	••47 cm ;62 cm ;•42 cm	
	▼ Art. no..	▼ Price	...			
	629A	629B	629C	629D		

MATCHING PIECES  flat-packed 	Width in cm	47	93	93		
	Drawing					
	Name	chest	chest	chest		
	Name	4 drawers	4 drawers	5 drawers		
	Dimensions (W/H/D)	••47 cm ;81 cm ;•42 cm	••93 cm ;81 cm ;•42 cm	••93 cm ;81 cm ;•42 cm		
	▼ Art. no..	▼ Price	...			
	629F	676B	676C			

Extras for HINGED door wardrobes – Please order with colour code **A0031**

Width 45 cm



Width 90 cm



Width 90 cm






Width 136 cm



Width 181 cm



Wardrobe units
Hanging rail 
Shelf 
Set of 3 shelves 

45
9737 ✓
9601 ✓
9602 ✓

90
9736 ✓
9604 ✓
9605 ✓

	left unit	right unit
	45	45
	✗	9737 ✓
	✗	9601 ✓
	✗	9602 ✓

	left unit	right unit
	90	45
	9736 ✓	✗
	9604 ✓	✗
	9605 ✓	✗

	left unit	right unit
	90	90
	9736 ✓	✗
	9604 ✓	✗
	9605 ✓	✗