

# Reflection

## Bedroom Range

FISHPOOLS

The south east's largest quality furniture store





Front/Carcase	Colour code
	Grey mirror applications with fluted bevel
Metallic grey carcass	AM829
Alpine white carcass	AN849



Alpine white



Metallic grey





Interior colour  
Texline  
colour



**EASY  
SLIDE**  
Metal guide  
rails



Drawers on si-  
lent ball-bea-  
ring runners



Optional  
dampers for  
hinged and  
gliding doors



For extras, see  
rauch **ORANGE**  
Accessories 1.1.

**Quality and material**

**10 YEARS**  
Warranty

10 years rauch manufacturer's warranty. Warranty terms and conditions on [rauchmoebel.com/garantie](http://rauchmoebel.com/garantie) and in information enclosed with the product.

**Colour**  
Furniture with colour finish has an evenly attractive, hard-wearing surface.

**Load-bearing capacity**  
The load limits for all furniture and extras can be found in the load table at: <https://qrco.de/rauch-belastungstabelle>

**WOODMAX**  
Das Wohngesundheits  
Fächerwerkstoff

**WOODMAX chipboard**  
This healthy green-wood chipboard was designed specifically for use in living areas. Our Woodmax chipboard is made only from pollutant-free small-diameter logs and windfall timber from sustainably managed forestry operations in regional woods.

**Our natural raw material**  
Rauch has won various awards for the material used in its boards. Strict tests by impartial institutes consistently confirm that our materials and processes are not harmful to health.

**Award-winning and certified**

**made in GERMANY**  
Sustainability assured

[www.blauer-engel.de/uz38](http://www.blauer-engel.de/uz38)

- low emissions
- wood from sustainable forestry
- no adverse impact on health in the living environment

**RAI**  
GÜTEZEICHEN

**MADE IN GERMANY**  
MÖBEL + FURNITURE  
Herstellung, Herstellung im  
Produktion  
Produktion der Möbelwerke  
Rauch GmbH

**10 YEARS**  
Warranty

**M**  
Möbel

**RAI**

Timeless look

Attractive front designs

Durable product quality

Excellent furniture fittings

comprehensive accessories

Front/Carcase	Colour code
	Grey mirror applications with fluted bevel
Metallic grey carcass	AM829
Alpine white carcass	AN849

WARDROBES		Sliding door wardrobes. Top and bottom sections grey mirror with fluted bevel. Aluminium-coloured handle strips.		
Matching extras for sliding door wardrobes can be found on <b>rauch ORANGE EXTRAS SLIDING</b> on following pages.				<b>*NOTE!</b> Design constraints necessitate a shelf thickness of 2.2 cm on unit widths of 110 cm.
	sliding door wardrobe	sliding door wardrobe	sliding door wardrobe	
	2-door, 2 mirror doors	2-door, 2 mirror doors	2-door, 2 mirror doors	
	↔181 cm ↓210 cm ↘62 cm	↔226 cm ↓210 cm ↘62 cm	↔271 cm ↓210 cm ↘62 cm	
Article	Price	<b>5S8D</b>	<b>5S84</b>	<b>5S86</b>



MATCHING PIECES				
flat-packed Requires self assembly 				
	bedside table	bedside tables, pair		
	3 drawers	3 drawers		
	↔47 cm ↓62 cm ↘42 cm	↔47 cm ↓62 cm ↘42 cm		
Article	Price	<b>637C</b>	<b>637D</b>	

MATCHING PIECES				
flat-packed Requires self assembly 				
	chest	chest	chest	
	4 drawers	5 drawers	4 drawers	
	↔47 cm ↓81 cm ↘42 cm	↔93 cm ↓81 cm ↘42 cm	↔93 cm ↓81 cm ↘42 cm	
Article	Price	<b>638N</b>	<b>645D</b>	<b>645T</b>



Extras for SLIDING door wardrobes – Standard: 1 shelf and 1 hanging rail per unit – Please order with colour code A0033



	left unit	right unit
Wardrobe units	90	90
Hanging rail	9736 ✓	9736 ✓
Shelf	9672 ✓	9672 ✓
Set of 3 shelves	9674 ✓	9674 ✓
Interior drawer	9866 ✓	9866 ✓
1/2-1/2-Division	9991 ✓	9991 ✓
Soft-Close	9DC2 ✓	



	left unit	right unit
Wardrobe units	112,5	112,5
Hanging rail	9709 ✓	9709 ✓
Shelf	9F01 ✓	9F01 ✓
Set of 3 shelves	9F03 ✓	9F03 ✓
Interior drawer	9806 ✓	9806 ✓
1/2-1/2-Division	9939 ✓	9939 ✓
Soft-Close	9DC2 ✓	



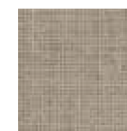
	left unit	central unit	right unit
Wardrobe units	90	90	90
Hanging rail	9736 ✓	9736 ✓	9736 ✓
Shelf	9672 ✓	9672 ✓	9672 ✓
Set of 3 shelves	9674 ✓	9674 ✓	9674 ✓
Interior drawer	9866 ✓	✗	9866 ✓
1/2-1/2-Division	9991 ✓	9991 ✓	9991 ✓
Soft-Close	9DC2 ✓		

Wardrobe units	
Hanging rail	
Shelf	
Set of 3 shelves	
Interior drawer	
1/2-1/2-Division	
Soft-Close	

for sliding door robes



Colour	Colour code
Texline (natural-colour linen look)	A0033




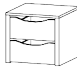
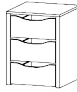







Texline colour



for sliding door robes  
 Element width 45, 67,5, 90, 112,5 cm

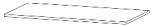



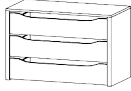
Colour	Colour code
Texine (natural-colour linen look)	A0033


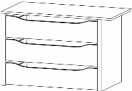
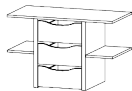
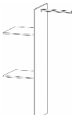

ELEMENT WIDTH ▶		45	45	45	45	45
						
		Shelf	Shoe shelves	hanging rail	interior drawer	interior drawer
		for unit width 45cm	with profiles for unit width 45cm	for unit width 45cm	with 2 drawers for unit width 45cm	with 3 drawers for unit width 45cm
		••43 cm ;1,6 cm ;^48 cm	••43 cm ;1,6 cm ;^37 cm	••43 cm ;3 cm ;^2 cm	••43 cm ;39 cm ;^45 cm	••43 cm ;57 cm ;^45 cm
1 pieces	Price	<b>9664</b>		<b>9737</b>	<b>9843</b>	<b>9893</b>
Set of 2		<b>9665</b>	<b>9FE2</b>			
Set of 3		<b>9666</b>	<b>9FE3</b>			
Set of 5		<b>9667</b>				

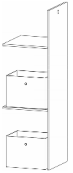
ELEMENT WIDTH ▶		67,5	67,5	67,5	67,5	67,5
						
		Shelf	Shoe shelves	hanging rail	interior drawer	interior drawer
		for unit width 66cm	with profiles for unit width 66cm	for unit width 66cm	with 2 drawers for unit width 66cm	with 3 drawers for unit width 66cm
		••66 cm ;1,6 cm ;^48 cm	••66 cm ;1,6 cm ;^37 cm	••65 cm ;3 cm ;^2 cm	••66 cm ;39 cm ;^45 cm	••66 cm ;57 cm ;^45 cm
1 pieces	Price	<b>9668</b>		<b>9743</b>	<b>9864</b>	<b>9860</b>
Set of 2		<b>9669</b>	<b>9FG2</b>			
Set of 3		<b>9670</b>	<b>9FG3</b>			
Set of 5		<b>9671</b>				

for sliding door robes  
 Element width 45, 67,5, **90**, 112,5 cm

Colour	Colour code
Texline (natural-colour linen look)	A0033

ELEMENT WIDTH ▶		90	90	90	90	90
						
		Shelf	Shoe shelves	hanging rail	interior drawer	interior drawer
		for unit width 90cm	with profiles for unit width 90cm	for unit width 90cm	with 2 drawers for unit width 90cm	with 3 drawers for unit width 90cm
		••88 cm ;1,6 cm ;•48 cm	••88 cm ;1,6 cm ;•37 cm	••87 cm ;3 cm ;•2 cm	••88 cm ;39 cm ;•45 cm	••88 cm ;57 cm ;•45 cm
1 pieces	Price	<b>9672</b>		<b>9736</b>	<b>9845</b>	<b>9895</b>
Set of 2		<b>9673</b>	<b>9FH2</b>			
Set of 3		<b>9674</b>	<b>9FH3</b>			
Set of 5		<b>9675</b>				




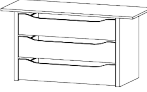
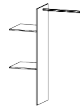
ELEMENT WIDTH ▶		90	90	90	90	90
						
		interior drawer	interior drawer	interior drawer	interior division	interior division
		with 2 drawers for unit width 90cm	with 3 drawers for unit width 90cm	for unit width 90cm with 3 drawers with shelves	with 2 shelves with clothes rail for unit width 90cm	with 2 shelves
		••88 cm ;39 cm ;•45 cm	••88 cm ;57 cm ;•45 cm	••88 cm ;57 cm ;•45 cm	••88 cm ;147 cm ;•48 cm	••45 cm ;147 cm ;•48 cm
Article	Price	<b>9865</b>	<b>9866</b>	<b>9898</b>	<b>9991</b>	<b>9955</b>


ELEMENT WIDTH ▶		90	
			Interior division not possible for elements with drawers!
		interior division	
		incl. 2 fabric boxes	
		••45 cm ;147 cm ;•48 cm	
Article	Price	<b>93H1</b>	








for sliding door robes  
 Element width 45, 67,5, 90, 112,5 cm

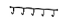


Colour	Colour code
Textilene (natural-colour linen look)	A0033


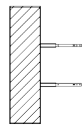
ELEMENT WIDTH ▶		112,5	112,5	112,5	112,5	112,5
Design constraints necessitate a shelf thickness of 2.2 cm on unit widths of 112.5 cm.						
		Shelf	hanging rail	interior drawer	interior drawer	interior division
		for unit width 112,5cm	for unit width 112,5cm	with 2 drawers for unit width 112,5cm	with 3 drawers for unit width 112,5cm	with 2 shelves with clothes rail for unit width 112,5cm
		••111 cm ;2,2 cm ;^48 cm	••110 cm ;3 cm ;^2 cm	••111 cm ;39 cm ;^45 cm	••111 cm ;57 cm ;^45 cm	••110 cm ;147 cm ;^48 cm
1 pieces	Price	<b>9F01</b>	<b>9709</b>	<b>9804</b>	<b>9806</b>	<b>9939</b>
Set of 2		<b>9F02</b>				
Set of 3		<b>9F03</b>				
						Interior division not possible for elements with drawers!

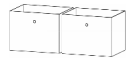
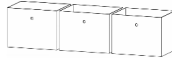
ELEMENT WIDTH ▶		112,5
		
		interior division
		with 2 shelves
		••45 cm ;147 cm ;^48 cm
Article	Price	<b>9955</b>
		Interior division not possible for elements with drawers!

GENERAL		damper for sliding doors rauch EASY SLIDE			
					
		set of 2 dampers for sliding wardrobes EASY SLIDE	damper for middle door, 1 pieces EASY SLIDE	set of 3 dampers for sliding wardrobes EASY SLIDE	damper for sliding doors, 1 Stück EASY SLIDE
		of 2 door Sliding door wardrobes can be mounted on the left or right	of 3 door Sliding door wardrobes	for synchronous sliding door robes 4-door	for hinged/sliding door wardrobes (1 Sliding doors)
		Cushions the door stop on the outer panels.			can be mounted on the left or right!
Article	Price	<b>9DC2</b>	<b>9DC4</b>	<b>9DC3</b>	<b>9DC1</b>


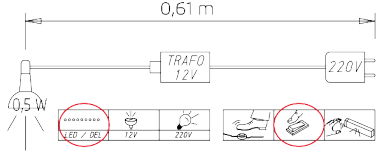

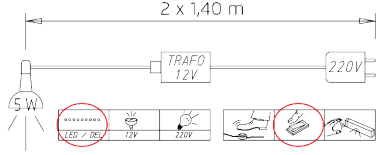
Colour	Colour code
Texline (natural-colour linen look)	A0033


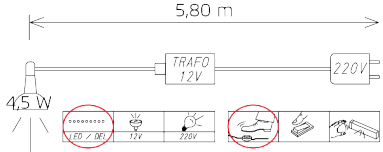
GENERAL					
					
		hooks	trouser holder	coat hanger rail	
		↔35 cm ↓5 cm ↗5 cm	↔25 cm ↓7 cm ↗46 cm	↔7 cm ↓52 cm ↗28 cm	
Article	Preis	<b>9HL1</b>	<b>990H</b>	<b>9767</b>	

GENERAL					
					
		wall mirror	interior mirror		
			mirror width 31 cm hinged extends from 45 to 73 cm		
		↔60 cm ↓90 cm ↗2 cm	↔46 cm ↓115 cm ↗4 cm		
Article	Preis	<b>98A7</b>	<b>9408</b>		

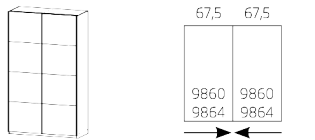
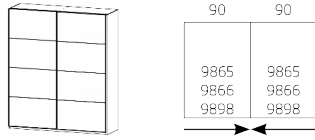
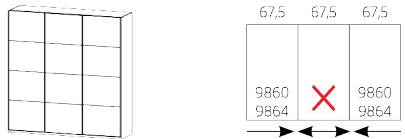
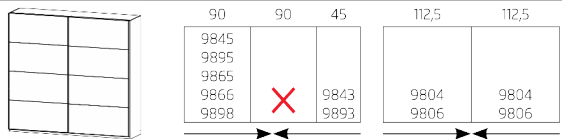
GENERAL					
					
		fabric box	fabric box		
		set of 2 grey	set of 3 grey		
		↔38 cm ↓29 cm ↗29 cm	↔38 cm ↓29 cm ↗29 cm		
Article	Price	<b>93G2</b>	<b>93G3</b>		

Colour	Colour code
Texline (natural-colour linen look)	A0033

GENERAL			
			
	interior lights		
	with motion sensor LED light		
	↔23 cm ↕2 cm ↗11 cm		
Article	Preis	<b>9T1B</b>	
			
			<b>set of 2 LED lights</b> swivelling for bed
			2 x ↔17 cm ↕49 cm ↗17 cm
			<b>99LP</b>
			
			This product contains a light source of the energy efficiency class G.
			EPREL 762229

GENERAL			
			
	set of 2 LED lights		
	aluminium Linea-Stixx		
	↔35 cm ↕6 cm ↗19 cm		
Set of 2	Price	<b>9L48</b>	
Set of 3		<b>9L49</b>	
			This product contains a light source of the energy efficiency class G.
			EPREL 766530

## Options for installing drawer units

	Sliding door wardrobes, 2-door	Sliding door wardrobes, 3-door
↔ 136 cm		
↔ 181 cm		
↔ 203 cm		
↔ 226 cm		
↔ 271 cm	